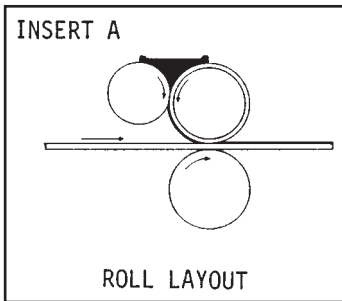


PCB ROLLER COATER



The Union Tool Corporation

P.O. Box 935
Warsaw, IN 46581-0935
Phone: 574/267-3211
Fax: 574/267-5703

PB #2054

E-Mail: info@uniontoolcorp.com
Website: www.uniontoolcorp.com

PCB ROLLER COATER

The Union PCB Roller Coater is specifically designed and constructed to apply protective coatings (Sealbrite) to the top surface of printed circuit boards. Several special features were incorporated into a Union Series #5, Model C, 26" Roller Coater to allow the machine to perform the critical application of an accurate and consistent coating. An infeed and offbearing conveyor permits the Roller Coater to be placed directly in a production line. The conveyor is powered by the same motor that powers the rolls, so line speeds are always maintained and synchronized. The machine is completely explosion-proof due to the makeup of the coating material and cleanup solvent.

MECHANICAL SPECIFICATIONS

SERIES, MODEL NO.	Series #5, Model C, 26"
OVERALL DIMENSIONS	Length: 65" (approximate) Width: 38"
PCB SIZE RANGE	Length: 10" to 30" Width: 4" to 24"
ROLLER SIZE	Coating roll: 4" diameter x 26" long Doctor roll: 2.75" diameter x 26" long Backup roll: 4" diameter x 26" long
ROLLER COVERING	Coating: Red Comet (urethane) Doctor: Chrome-plated Backup: Red Comet (urethane)
ROLLER ADJUSTMENTS	Top: single handwheel for vertical adjustment Doctor rolls: unifeed adjustment. Both with dial indicators
MOTOR & CONTROLS	1/2 H.P. dual voltage, explosion-proof motor with 110 volt explosion proof controls
CONVEYOR	Belt type urethane. Conveyor extends approximately 2' on each side
OPERATING SPEED	Variable from 10 to 30 l.f.p.m.
SAFETY FEATURES	Protective guards, drive chain covers and reversing switch
SPECIAL FEATURES	Pumping system with stainless steel tanks, cleanup pans, doctor roll lock device and epoxy painted surface
OPTIONS/VARIATIONS	Contact Union Tool Corporation

The Union Tool Corporation

P.O. Box 935
Warsaw, IN 46581-0935
574/267-3211
Fax: 574/267-5703
E-mail: info@uniontoolcorp.com
Website: www.uniontoolcorp.com