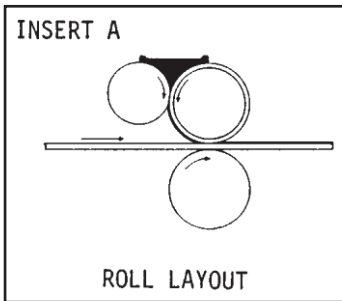


SERIES #5 ROLLER COATER



The Union Tool Corporation

P.O. Box 935
Warsaw, IN 46581-0935
Phone: 574/267-3211
Fax: 574/267-5703

PB #2054

E-Mail: info@uniontoolcorp.com
Website: www.uniontoolcorp.com

SERIES #5 ROLLER COATER

The Union Series #5, Model C Roller Coater is specifically designed to apply a smooth, even, and controllable amount of coating material to the top side only of various flat substrates. The amount of coating material being applied is controlled by the position of the doctor roll in relationship to the coating roll. This position is easily regulated by the use of our unifeed handwheel adjustment. The unifeed handwheel adjustment provides the ability to apply a very light coating or a very heavy coating.

Several other special features are incorporated into a Union Series #5, Model C Roller Coater to allow the machine to perform the critical application of an accurate and consistent coating. An infeed conveyor permits the Roller Coater to be placed directly in a production line and will assist an operator in feeding panels. The conveyor is powered by the same motor that powers the rolls, so line speeds are always maintained and synchronized.

MECHANICAL SPECIFICATIONS

SERIES, MODEL NO.	Series #5, Model C, Roller Coater
ROLL WIDTHS AVAILABLE	14", 26", 38"
ROLLER SIZE	Coating roll: 4"diameter Doctor roll: 2.75"diameter Backup roll: 4" diameter
ROLLER COVERING OPTIONS	Coating: Silicone, EPDM, Nitrile, Mechanical Neoprene, Chrome Doctor: Smooth Ground Steel, Chrome, EPDM Backup: Smooth Ground Steel, Mechanical Neoprene, Chrome
ROLLER ADJUSTMENTS	Top: single handwheel for vertical adjustment Doctor rolls: unifeed adjustment. Both with dial indicators
MOTOR & CONTROLS	AC variable speed motor with 110 volt controls
CONVEYOR	Belt Type: Teflon, Nitrile, PVC, SBR Rubber, etc. Length: Built to customer specs Width: Built to customer specs
OPERATING SPEED	Variable from 10 to 30 l.f.p.m.
SAFETY FEATURES	Protective guards, drive chain covers and reversing switch
UPGRADE OPTIONS	Pumping system with stainless steel tanks, level tech device for pumping coating material automatically, Independent doctor roll drive
OTHER UPGRADE OPTIONS	Contact Union Tool Corporation
ALTERNATIVE EQUIPMENT	Union Series Model A, Double Sided Roller Coater

The Union Tool Corporation

P.O. Box 935

Warsaw, IN 46581-0935

574/267-3211

Fax: 574/267-5703

E-mail: info@uniontoolcorp.com

Website: www.uniontoolcorp.com